

Valves

Solenoid Valves

5/3-way valves

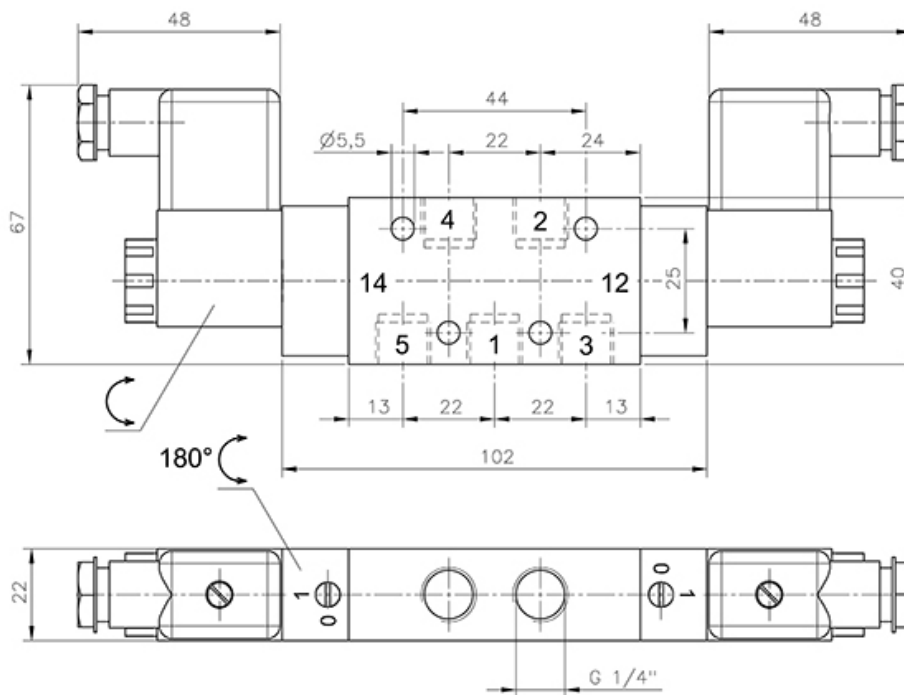
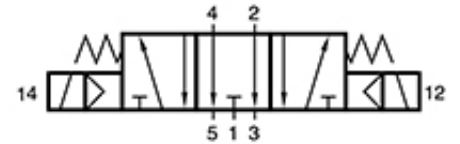
In-line valves

MH | In-line valves

MH 532 701

Solenoid valve | spring return to middle position | with manual override | centre exhausted

HAFNER



Specifications

Port size	G 1/4"
Air flow	1250 l/min
Operating pressure	3...10 bar
Funktion	5/3-way centre exhausted
Power consumption	3 W / 5 VA

www.hafner-pneumatika.com