

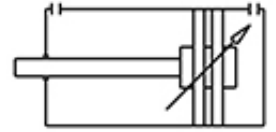
Cylinders

Round cylinders | ISO 6432

RDM 16/10

Double acting cylinder | adjustable cushioning | magnetic piston | R-series

HAFNER



R-series: Round cylinders according to ISO 6432.
Features: magnetic piston, adjustable cushioning, stainless steel tube.

The fixing nut as well as the nut on the piston rod is part of the delivery content.

Diameter | $\varnothing 16$ - $\varnothing 20$ - $\varnothing 25$ mm

Stroke | 10 ... 320 mm, according to the chart below

Other non-standard strokes are available on request.

Medium | Air

Working pressure | 1 ... 10 bar

Temperature range | -20°C ... $+80^{\circ}\text{C}$

Below 0°C air has to be dried.

Body | Stainless steel

Heads | Anodized aluminum

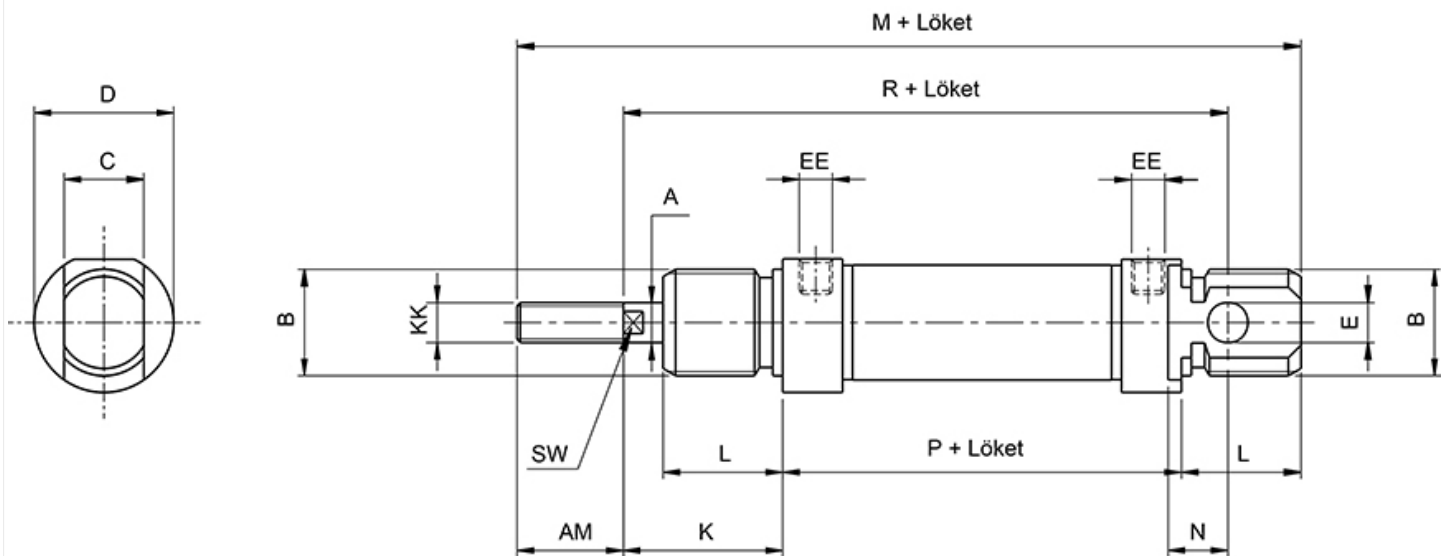
Drive piston | Brass

Piston rod | Stainless steel

Guide bushing | Sintered bronze

Seals | PUR, NBR





Type	Ø [mm]	A	B	C	D	E	K	L	M	N	P	R	AM	EE	KK	SW
RDM 16/...	Ø 16	6	M 16 x 1,5	12	21	6	22	18	109	9	53	82	16	M 5	M 6	5
RDM 20/...	Ø 20	8	M 22 x 1,5	16	27	8	24	20	131	12	67	95	20	G 1/8"	M 8	7
RDM 25/...	Ø 25	10	M 22 x 1,5	16	30	8	28	22	140	12	68	104	22	G 1/8"	M 10 x 1,25	9

Specifications

Diameter	Ø 16 mm
Stroke	10 mm
Connection	M 5
Piston diameter	Ø 6 mm
Piston diameter, male	M 6
Operating pressure	1...10 bar

www.hafner-pneumatika.com