



Type 350/360/370SS Series

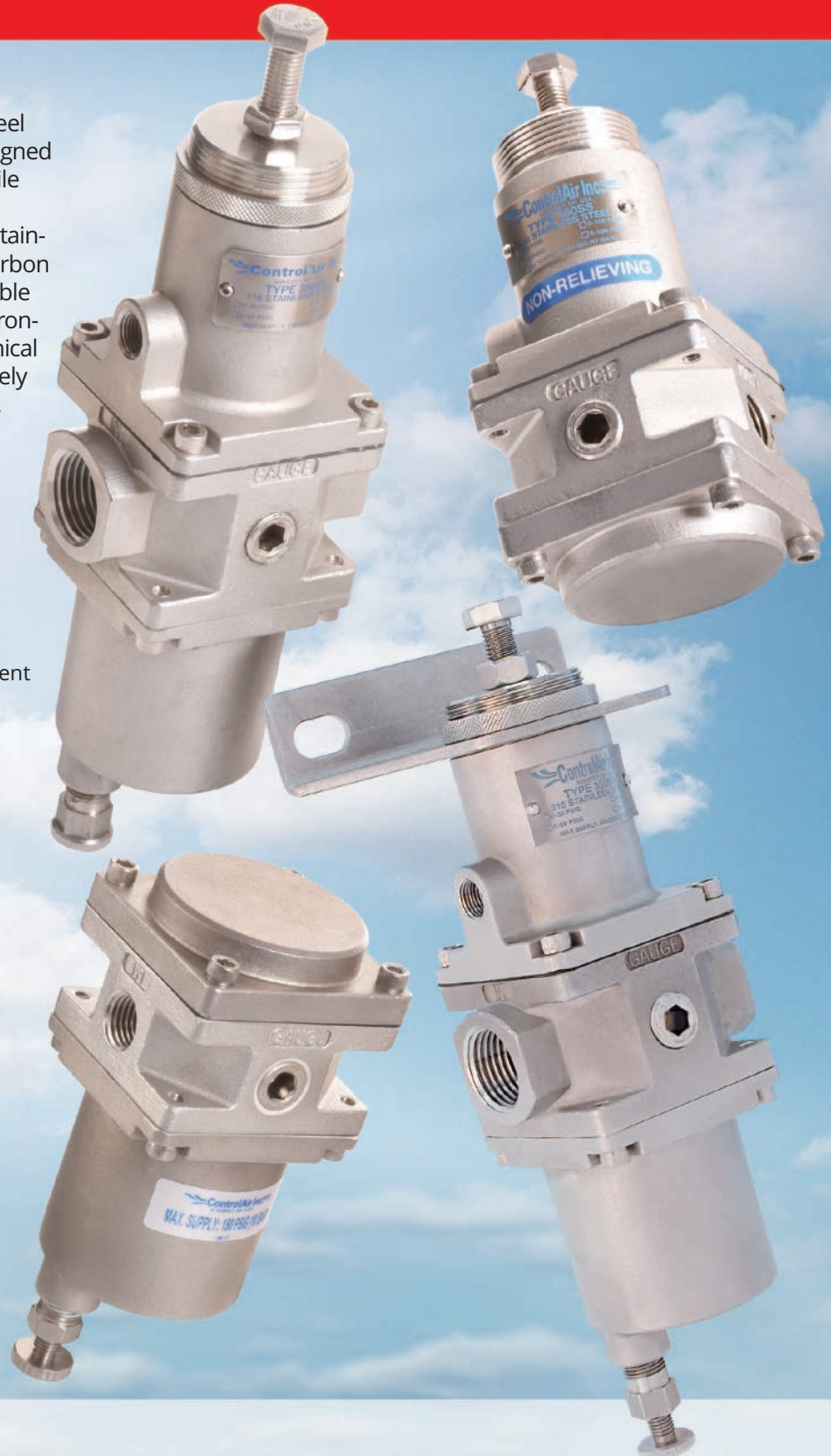
Stainless Steel Regulators and Filters

Type 350SS Stainless Steel Filter Regulator | Type 360SS Stainless Steel Regulator
Type 370SS Stainless Steel Filter

The Type 350/360/370SS series of stainless steel regulators, filter regulators and filters are designed to stand up to the harshest environments while providing highly accurate pressure regulation. Proven 316L stainless steel housing and 316 stainless steel filter assemblies along with fluorocarbon elastomers make the 350/360/370SS compatible with sour gas and adaptable to off shore environments. These quality instruments are economical to buy as well as operate, and provide extremely stable and repeatable control of gas pressure. Oversized valving helps the units achieve high flow rates with minimal pressure drop.

Features

- **All 316 Stainless Steel Construction**
Ideal for sour gas and/or corrosive environments
- **NACE Compliant**
Meets NACE #MR-0175 material requirement for sulfide stress cracking
- **1/4" NPT and 1/2" NPT**
Ported Versions
- **Autodrain Option**
- **Low Temperature Option**
- **High Flow Capacity**
- **Tapped Exhaust Port**
Permits remote venting of hazardous gases
- **Minimal Air Consumption**
Low cost of ownership



Type 350/360/370SS Series

Specifications



Type 350SS



Type 360SS

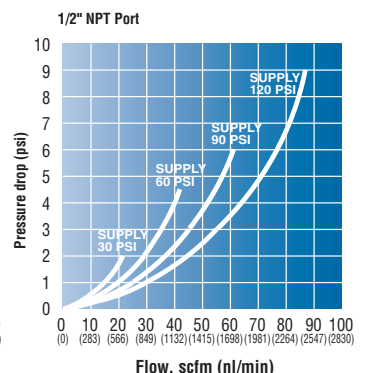
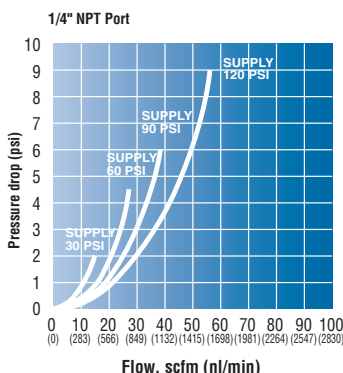
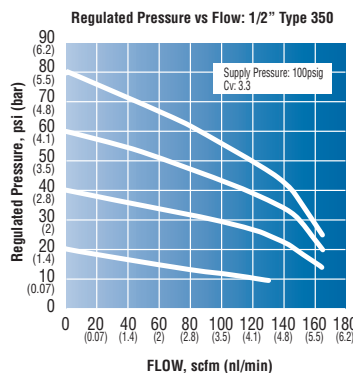
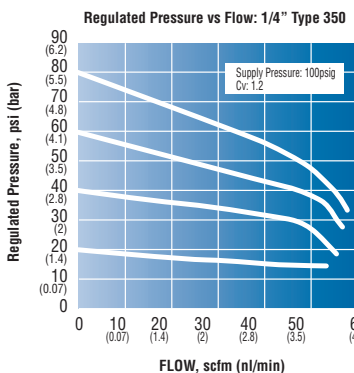


Type 370SS

Output Ranges:	0-30 psig (0-2.0 BAR), 0-60 psig (0-4.0 BAR), 0-100psig (0-7.0 BAR), 0-150 psig (0-10.0 BAR)	Not applicable	
Exhaust Capacity:	1.0 SCFM (30 NI/min) at downstream pressure of 10 psig (0.7 BAR) above set point	Not applicable	
Maximum Supply Pressure:	290 psig (20.0 BAR) Autodrain: 150 psig (10.0 BAR)	290 psig (20.0 BAR) 150 psig (10.0 BAR) Autodrain: 150 psig (10.0 BAR)	
Maximum Flow Coefficients (Cv):	1/4" = 1.2 1/2" = 3.3		
Air Consumption:	4 SCFH (2 NI/min) maximum	Not applicable	
Operating Temperatures:	-20° to +185° F (-29° C to +85° C) Autodrain Option: (Type 350 and Type 370 only) 32° to 185°F (0° to 85°C) Low Temperature Option: -61° to +194° F (-52° to +90° C)		
Filter:	25 micron optional 5 micron filter	Not applicable 25 micron optional 5 micron filter	
Porting:	Inlet/Outlet: 1/4" NPT or 1/2" NPT Gauge (2): 1/4" NPT Exhaust: 1/8" NPT	1/4" NPT or 1/2" NPT 1/4" NPT 1/8" NPT	
Materials:	316L stainless steel: housings 316 stainless steel: filter, range spring, trim Inconel: valve spring Fluorocarbon: diaphragm, seals Silicone: diaphragm, seals (low temperature option)		
Weight:	1/4" NPT: 2.2 lbs. (1.0 kg) 1/2" NPT: 2.8 lbs. (1.3 kg) Additional for Autodrain: 0.6 lbs. (0.3 kg)	1/4" NPT: 2.0 lbs. (0.9 kg) 1/2" NPT: 2.6 lbs. (1.2 kg)	1/4" NPT: 2.1 lbs. (0.95 kg) 1/2" NPT: 2.5 lbs. (1.14 kg)
Operating Media:	Air, inert gas, sweet (natural) and sour gases		

Regulated Pressure vs. Flow (Type 350/360SS, typical)
(0-100 psig range, 105 psig supply)

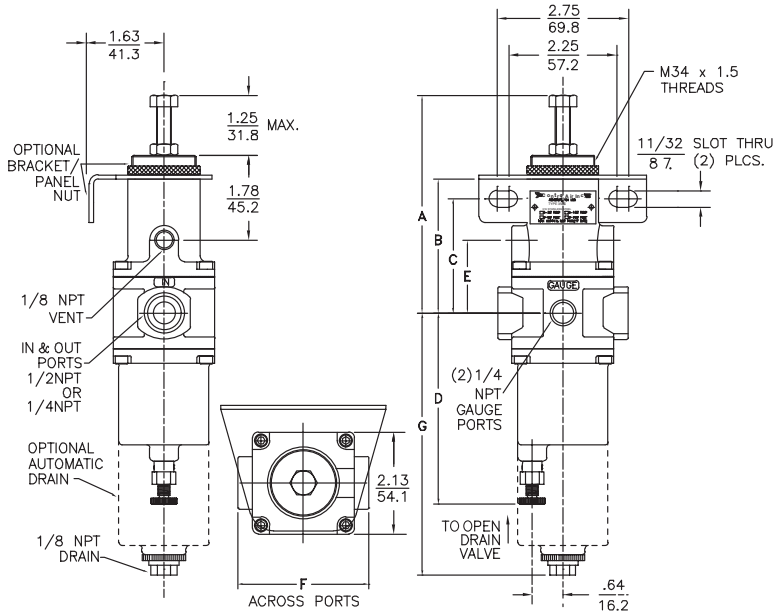
Pressure Drop vs. Flow (Type 370SS, typical)



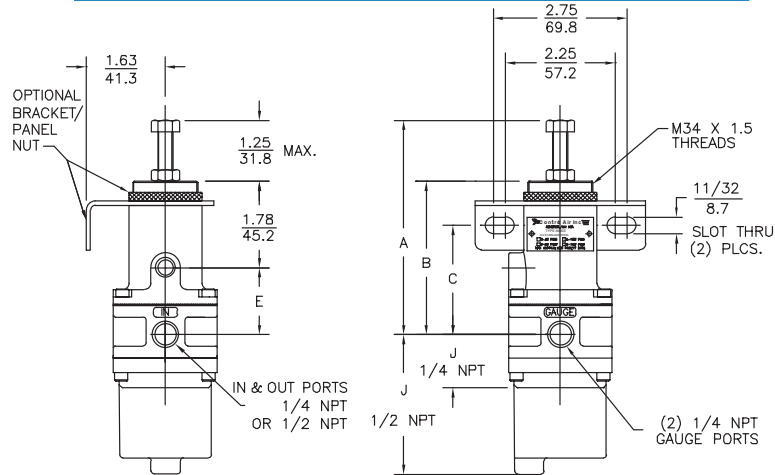
Clean, stable performance for tough, dirty process control

Port Size (NPT)	A		B		C		D		E		F		G		H		J	
	Inch	mm	Inch	mm	Inch	mm	Inch	mm	Inch	mm	Inch	mm	Inch	mm	Inch	mm	Inch	mm
1/4"	4.40	111.8	2.85	67.3	2.24	56.9	3.71	56.9	1.38	35.1	2.13	54.1	5.20	135.1	1.22	31.0	1.08	27.4
1/2"	4.54	115.3	2.79	70.9	2.39	60.7	3.98	60.7	1.52	38.6	2.72	69.1	5.46	138.7	1.36	34.5	3.08	78.2

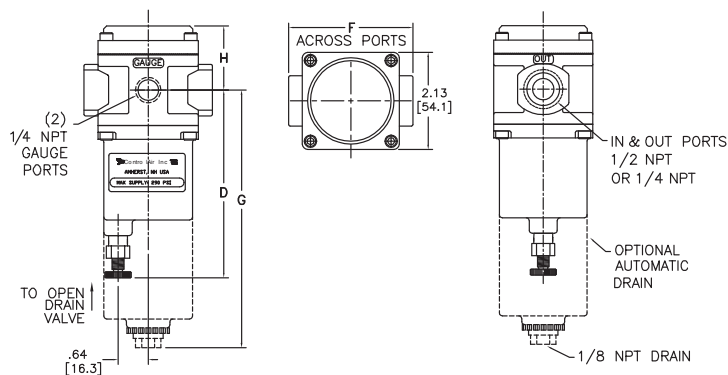
Type 350SS



Type 360SS



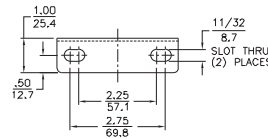
370SS



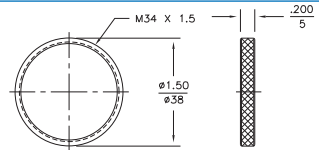
- Low air consumption for greater operating economy
- Tapped exhaust for remote venting
- 1/4" NPT and 1/2" NPT porting
- Competitively priced
- Low droop at high flow levels
- 316 stainless steel housing and filter assemblies
- High flow manual drain for easy maintenance
- Compact size
- Large flow paths to minimize pressure drop
- Meets all NACE requirements
- Automatic drain option (shown)
- Excellent stability and repeatability, even in harsh environments



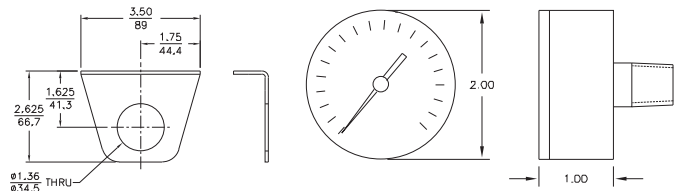
Mounting Bracket



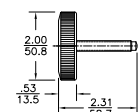
Panel Nut



Pressure Gauge



Knob



Drawing downloads available at www.controlair.com

Type 350/360/370SS Series

Ordering

Type 350SS Filter Regulator

Model	Part Number	Port Size (NPT)	Output Range (psi)	Output Range (BAR)
350SS	350-BA	1/4"	0 - 30.0	0 - 2.0
350SS	350-BB	1/4"	0 - 60.0	0 - 4.0
350SS	350-BC	1/4"	0 - 100.0	0 - 7.0
350SS	350-BD	1/4"	0 - 150.0	0 - 10.0
350SS	350-DA	1/2"	0 - 30.0	0 - 2.0
350SS	350-DB	1/2"	0 - 60.0	0 - 4.0
350SS	350-DC	1/2"	0 - 100.0	0 - 7.0
350SS	350-DD	1/2"	0 - 150.0	0 - 10.0

Type 360SS Regulator

Model	Part Number	Port Size (NPT)	Output Range (psi)	Output Range (BAR)
360SS	360-BA	1/4"	0 - 30.0	0 - 2.0
360SS	360-BB	1/4"	0 - 60.0	0 - 4.0
360SS	360-BC	1/4"	0 - 100.0	0 - 7.0
360SS	360-BD	1/4"	0 - 150.0	0 - 10.0
360SS	360-DA	1/2"	0 - 30.0	0 - 2.0
360SS	360-DB	1/2"	0 - 60.0	0 - 4.0
360SS	360-DC	1/2"	0 - 100.0	0 - 7.0
360SS	360-DD	1/2"	0 - 150.0	0 - 10.0

Type 370SS Filter

Model	Part Number	Port Size (NPT)
370SS	370-BX	1/4"
370SS	370-DX	1/2"

Warranty ControlAir, Inc. products are warranted to be free from defects in materials and workmanship for a period of eighteen months from the date of sale, provided said products are used according to ControlAir, Inc. recommended usages. ControlAir, Inc.'s liability is limited to the repair, purchase price refund, or replacement in kind, at ControlAir, Inc.'s sole option, of any products proved defective. ControlAir, Inc. reserves the right to discontinue manufacture of any products or change products materials, designs or specifications without notice. Note: ControlAir does not assume responsibility for the selection, use, or maintenance of any product. Responsibility for the proper selection, use, and maintenance of any ControlAir product remains solely with the purchaser and end user. Drawing downloads available at www.controlair.com

Drawing downloads available at www.controlair.com

Options

Add proper letter at end of model number.

- A** - Automatic Drain (Type 350 and Type 370 only)
Float operated drain with 1/8" NPT connection. Maximum 150 psig supply pressure. Minimum 32°F (0°C) temperature.
- F** - 5 Micron Filter
Standard 25 micron filter is replaced with 5 micron filter for more complete air filtration
- K** - Knob with stainless steel stem
- L** - Low Temperature Operation
For "Arctic" applications. Good for temperatures range of -61°F to +194°F (-52°C to +90°C). Not suitable for sour natural gas
- N** - Nonrelieving
For constant flow or downstream pressure relief applications
- R** - EAC TR-CU
- X** - ATEX 94/9/EC

Accessories

Panel Nut -P/N 446-734-052

Mounting Bracket Kit -P/N 448-542-011
Includes mounting bracket and panel nut

Pressure Gauge -2" face: dual scale: 1/4" NPT centerback connection: stainless steel case and internals

0-30 psig (0-2.0 BAR) P/N 445-725-019

0-60 psig (0-4.0 BAR) P/N 445-725-020

0-160 psig (0-11.0 BAR) P/N 445-725-021

Bug Screen - P/N 445-761-005

1/8" NPT stainless steel exhaust screen fitting

Applications

The Type 350/360/370SS is used extensively by OEMs and end users to supply clean air to pneumatic controllers, transmitters, transducers, valve positioners, air cylinders, and a wide range of pneumatic control systems.

Applications include:

Petrochemical processing, both on and offshore

Food, pulp and paper, and pharmaceutical processing

Pollution control

Waste water treatment



8 Columbia Drive / Amherst, NH 03031 USA / www.controlair.com / sales@controlair.com / 603-886-9400 / FAX 603-889-1844

An ISO-9001:2015 Certified Company

P/N 441-625-023 11/17